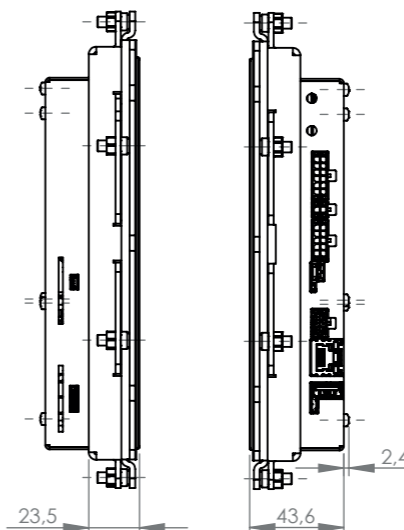
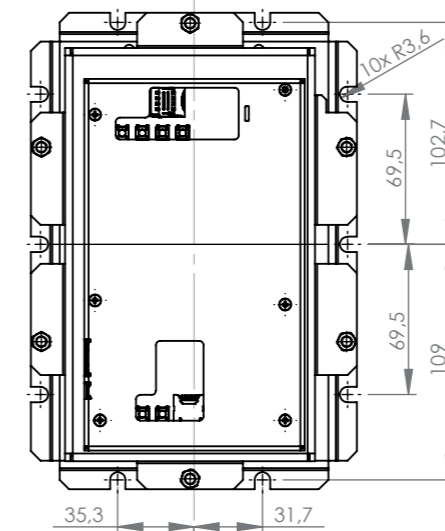
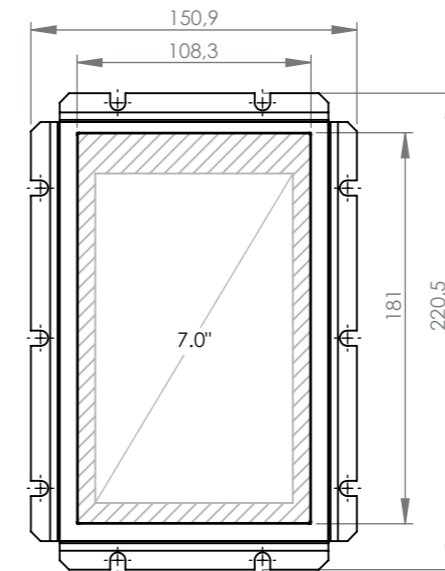


SANTVEND 7.0 OF PCT IPS outdoor

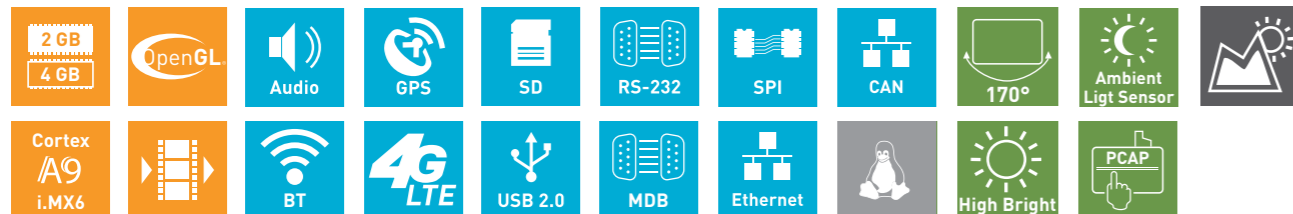
ARM Cortex-A9 IOT Rear Mount



TECHNICAL SPECIFICATION

SANTVEND 7.0 OF PCT IPS outdoor

	x1	x2L
CPU		
CPU Type	i.MX6Solo	i.MX6DualLite
Core Class	ARM Cortex - A9	
Core Clock	1 GHz	
Features	NEON for SIMD media acceleration and VFP operations; Multi-format HD 1080p video decoder and HD 720p video encoder hardware engine; L1 cache, 32 KB for instruction, 32 KB for data; 512 KB L2 cache	
HW Accelerators	Open VG 1.1 (Emulated on 3D GPU)	Open VG 1.1
RTC	Accuracy: +/- 30 ppm at 25°C	
Super Cap	Buffer for 24h	
Memory		
eMMC Flash	4 GB MLC eMMC	
RAM Standard	1 GB 32 bit LP-DDR2	
Micro SD Card Slot	4 bit MMC/SDIO/SD/SDHC	
Operating Systems		
Supported OS	Linux Yocto	
Communication Interfaces		
Network	1x 10/100 Mbit/s Ethernet (RJ-45)	
USB 2.0	1x 480 Mbit/s OTG (Type Micro-AB)	
CAN Fieldbus	1x CAN (ISO/DIS 11898); WakeUp IN	
MDB	1x Master, 1x Slave	
Modem	3G / 4G, GPS (optional); Micro Sim Socket	
RS-232	WakeUp IN @ RS-232 Con.	
Synchronous Serial Interfaces	1x RS-232 (RX/TX/CTS/RTS) and 1x RX, TX	
BLE Modul	Single Mode BLE V 4.0 Slave	
INSIKA	Socket for optional Smart-Card Interface (Plug In)	
Misc.	2x Service Button	
Video		
Video output	HDMI 1.4 Type C Connector; + On / Off, PWM 2nd Backlight control con.	
Audio		
Speaker output	1x speaker (connector), 1 W RMS (8Ω)	
Audio Internal	1x speaker 0.3 W RMS (8Ω)	
Display and Touch		
Size	7 inch/177.8 mm	
Resolution	800 x 480 pixel	
Brightness	Typ. 1000 cd/m²	
Backlight Control	Ambient Light Sensor	
Backlight Lifetime	Typ. 70 000 h	
Viewing Angle	85°, 85°, 85°, 85° (UDRL)	
Color	24 bit (16.7 Mio. colors)	
Touch	projected capacitive multi touch	
Housing		
Front	5.0 mm toughened glass, Pantone black C	
Frame	None	
Rear	2.5 mm 1.4016 stainless steel, foam seal	
Ingress Protection	Front IP 20/Rear IP20	
Device Dimensions		
W x H x D	220.5 x 150.9 x 46.0 mm	
Weight	tbd.	
Power Supply		
Supply Voltage	Nom. 12 V DC / max. 9 to 17 V DC	
Consumption	Typ. 9.5 W; max. 22.8 W	
Powermanagement	Sleep Mode; I sleep < 3 mA @ 12 V	
Typical Environmental Conditions		
Storage Temp.	-20 to +70 °C	
Operating Temp.	-20 to +60 °C	
Humidity	5 to 90 % RH	



„This product can be modified by alternative assembly. Please contact us for available options.“