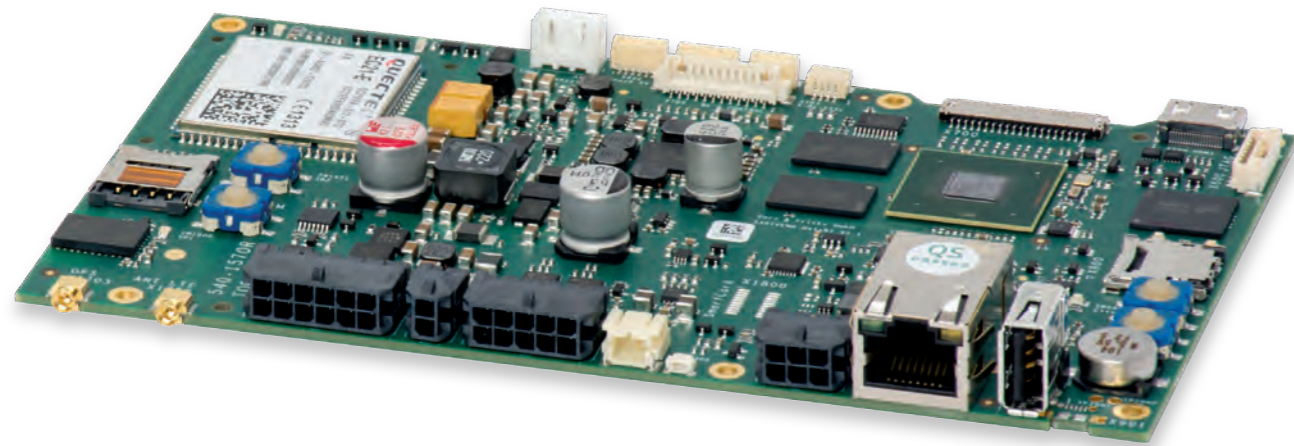
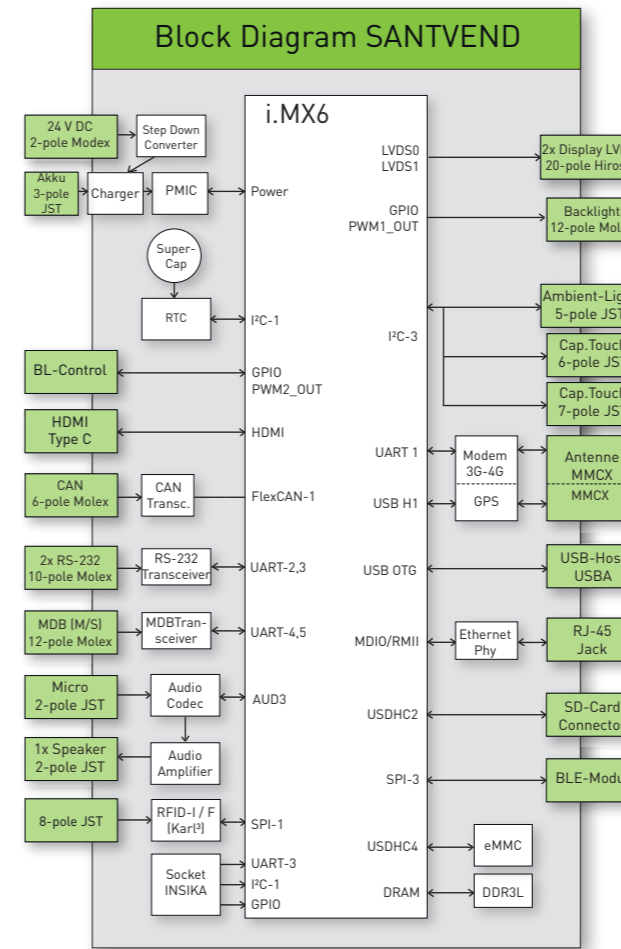


**SANTVEND core**

ARM Cortex-A9 IOT Single Board Computer



Vending / IOT platform with 3G / 4G modem and MDB interfaces.



CPU		x2
CPU Type	i.MX6Dual	
Core Class	ARM Cortex - A9	
Core Clock	1 GHz	
Features	NEON for SIMD media acceleration and VFP operations; Multi-format HD 1080p video decoder and HD 720p video encoder hardware engine; L1 cache, 32 KB for instruction, 32 KB for data; 1 MB L2 cache	
HW Accelerators	Open VG 1.1	
RTC	Accuracy: +/- 30 ppm at 25°C	
Super Cap	Buffer for 24h	
Memory		
eMMC Flash	4 GB MLC eMMC	
RAM Standard	2 GB 32 bit DDR3L	
Micro SD Card Slot	4 bit MMC/SDIO/SD/SDHC	
Operating Systems		
Supported OS	Linux Yocto	
Communication Interfaces		
Network	1x 10/100 Mbit/s Ethernet (RJ-45)	
USB 2.0	1x 480 Mbit/s Type A (Host)	
CAN Fieldbus	1x CAN (ISO/DIS 11898)	
MDB	1x Master, 1x Slave	
Modem	3G / 4G, GPS (optional); Micro Sim Socket	
RS-232	1x RS-232 (RX/TX/CTS/RTS) and 1x RX, TX	
Synchronous Serial Interfaces	SPI up to 2 chip selects; Pinning for RFID-I / F (Kart <sup>3</sup> )	
BLE Modul	Single Mode BLE V 4.0 Slave	
INSIKA	Socket for optional Smart-Card Interface (Plug In)	
Misc.	2x Service Button	
Video		
Video output	HDMI 1.4 Type C Connector; + On / Off, PWM 2nd Backlight control con.	
Audio		
Speaker output	1x speaker (connector), 1 W RMS (8Ω)	
Micro IN	1x microphone connector	
Display and Touch		
Display Interface	Dual Channel 24bpp LVDS	
Sensor	Ambient-Light-Sensor (external via I <sup>2</sup> C)	
Touch Interface	PCAP I <sup>2</sup> C	
Backlight Interface	+12 V, 5 V, on/off, PWM	
Device Dimensions		
W x H x D	160 x 18 x 95 mm; PCB 160 x 95 mm	
Weight	115 g	
Power Supply		
Supply Voltage	Nom. 24 V DC / max. 10 to 42 V DC	
Consumption	Typ. 3.0 W; max. tbd.	
Li-Ion-Akku	3.7 V / 2.0 to 4.0 Ah for Modem and Backup-Power	
Li-Ion-Charger	Internal	
Typical Environmental Conditions		
Storage Temp.	-20 to +70 °C without Li-Ion-Akku	
Operating Temp.	0 to +40 °C (normal operation) -20 to +60 °C without charge Li-Ion-Akku	
Humidity	5 to 90 % RH	



Online support on [www.garz-fricke.com](http://www.garz-fricke.com)

„This product can be modified by alternative assembly. Please contact us for available options.“