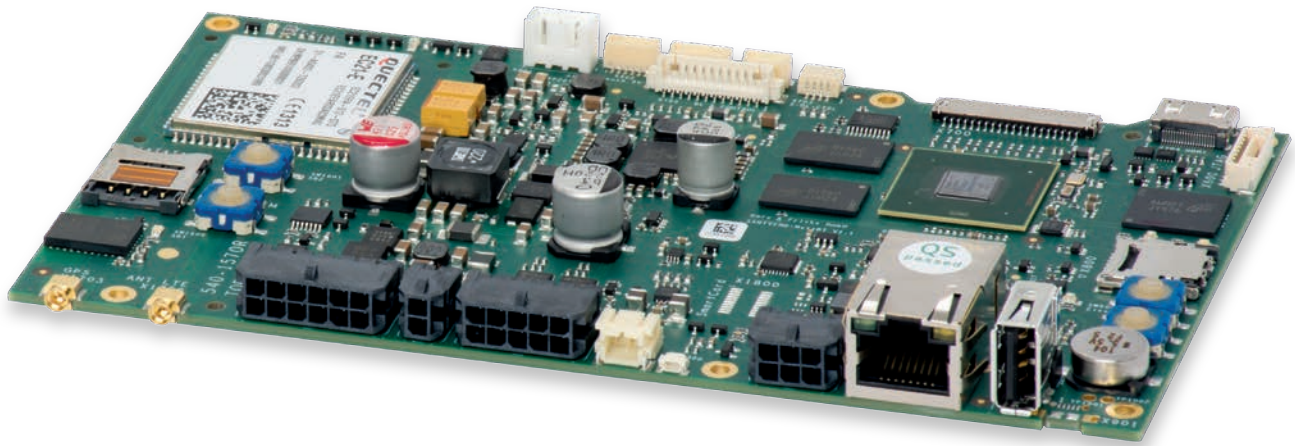
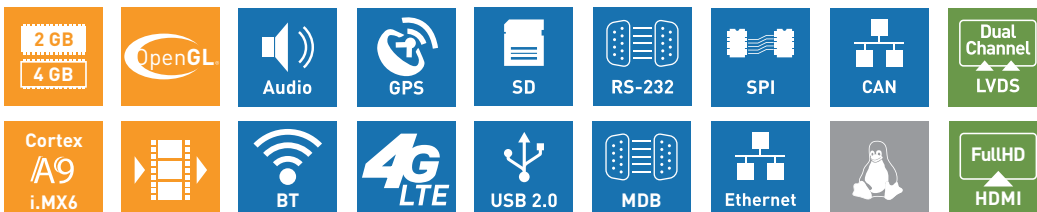


SANTVEND core

ARM Cortex-A9 IOT Single Board Computer



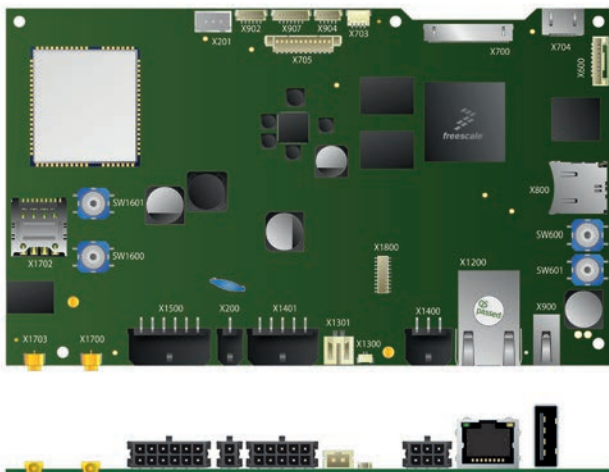
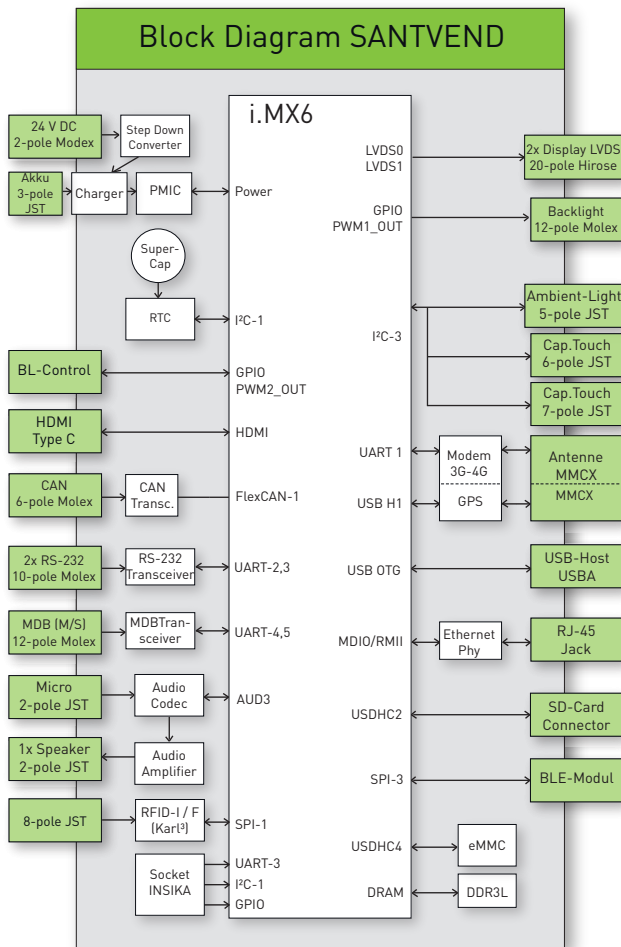
Vending / IOT platform with 3G / 4G modem and MDB interfaces.



Online support at www.garz-fricke.com

TECHNICAL SPECIFICATION

SANTVEND Single Board Computer



CPU	x2
CPU Type	i.MX6Dual
Core Class	ARM Cortex - A9
Core Clock	1 GHz
Features	NEON for SIMD media acceleration and VFP operations; Multi-format HD 1080p video decoder and HD 720p video encoder hardware engine; L1 cache, 32 KB for instruction, 32 KB for data; 1 MB L2 cache
HW Accelerators	Open VG 1.1
RTC	Accuracy: +/- 30 ppm at 25°C
Super Cap	Buffer for 24h
Memory	
eMMC Flash	4 GB MLC eMMC
RAM Standard	2 GB 32 bit DDR3L
Micro SD Card Slot	4 bit MMC/SDIO/SD/SDHC
Operating Systems	
Supported OS	Linux Yocto
Communication Interfaces	
Network	1x 10/100 Mbit/s Ethernet (RJ-45)
USB 2.0	1x 480 Mbit/s Type A (Host)
CAN Fieldbus	1x CAN (ISO/DIS 11898)
MDB	1x Master, 1x Slave
Modem	3G / 4G, GPS (optional); Micro Sim Socket
RS-232	1x RS-232 (RX/TX/CTS/RTS) and 1x RX, TX
Synchronous Serial Interfaces	SPI up to 2 chip selects; Pinning for RFID-I / F (Karl³)
BLE Module	Single Mode BLE V 4.0 Slave
INSIKA	Socket for optional Smart-Card Interface (Plug In)
Misc.	2x Service Button
Video	
Video Output	HDMI 1.4 Type C Connector; + On / Off, PWM 2nd Backlight control con.
Audio	
Speaker Output	1x speaker (connector), 1 W RMS (8Ω)
Micro IN	1x microphone connector
Display and Touch	
Display Interface	Dual Channel 24bpp LVDS
Sensor	Ambient-Light-Sensor (external via I²C)
Touch Interface	PCAP I²C
Backlight Interface	+12 V, 5 V, on/off, PWM
Device Dimensions	
W x H x D	160 x 18 x 95 mm; PCB 160 x 95 mm
Weight	115 g
Power Supply	
Supply Voltage	Nom. 24 V DC / max. 10 to 42 V DC
Consumption	Typ. 3.0 W; max. tbd.
Li-Ion-Akku	3.7 V / 2.0 to 4.0 Ah for Modem and Backup-Power
Li-Ion-Charger	Internal
Typical Environmental Conditions	
Storage Temp.	-20 to +70 °C without Li-Ion-Akku
Operating Temp.	0 to +40 °C (normal operation) -20 to +60 °C without charge Li-Ion-Akku
Humidity	5 to 90 % RH

"THIS PRODUCT CAN BE MODIFIED BY ALTERNATIVE ASSEMBLY. PLEASE CONTACT US FOR AVAILABLE OPTIONS."