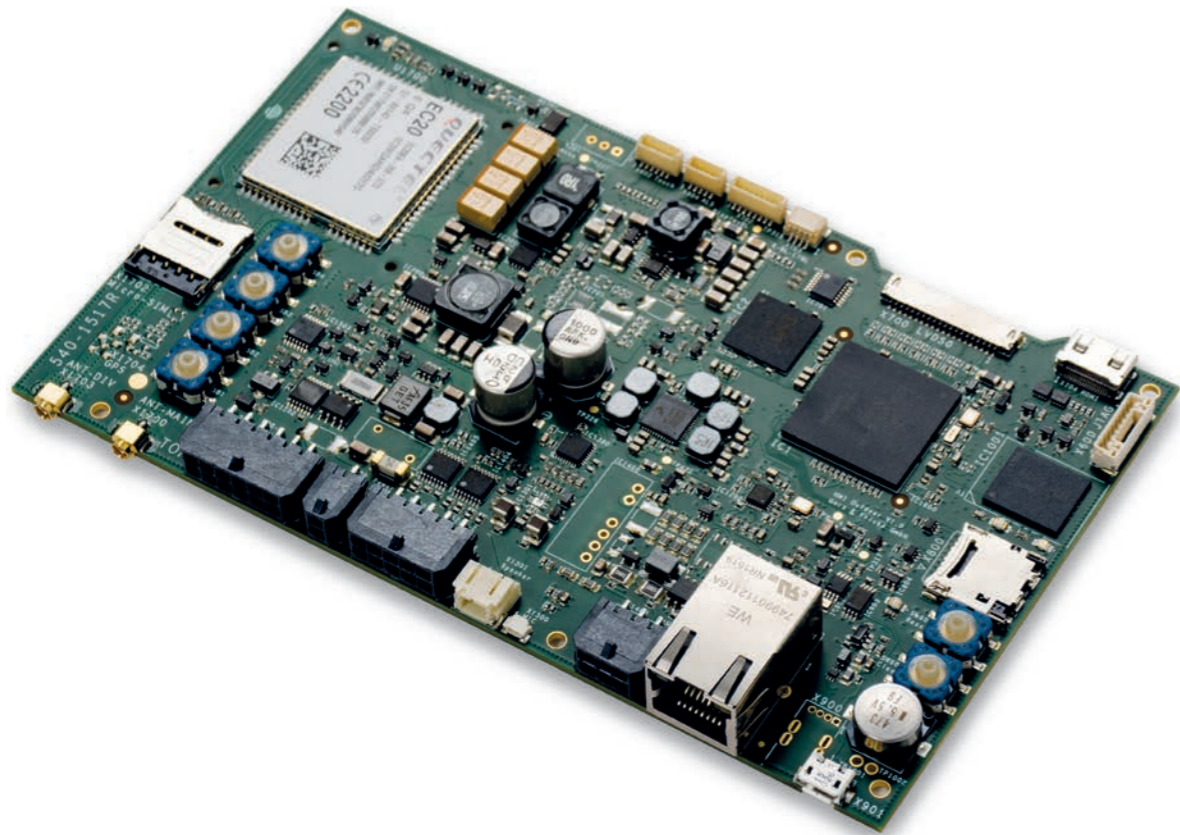


SOLUTIONS THAT COMPLETE!

GARZ FRICKE

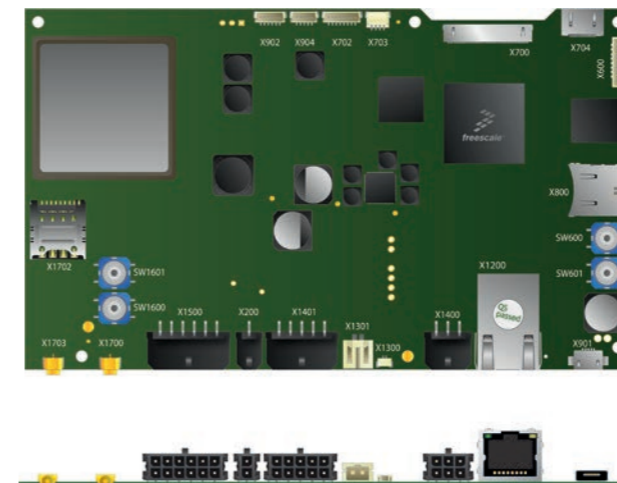
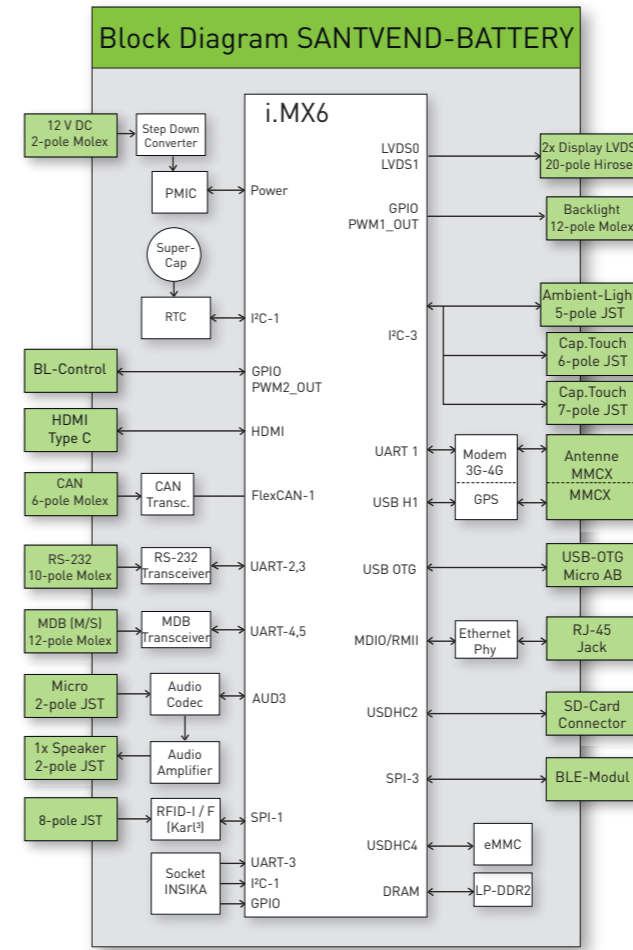
SANTVEND BATTERY core
ARM Cortex-A9 IOT Single Board Computer

coming soon
changes reserved



Outdoor Vending / IOT board for 12 V operation with optimized power management.

TECHNICAL SPECIFICATION
SANTVEND BATTERY Single Board Computer



CPU		x1
CPU Type	i.MX6Solo	
Core Class	ARM Cortex - A9	
Core Clock	1 GHz	
Features	NEON for SIMD media acceleration and VFP operations; Multi-format HD 1080p video decoder and HD 720p video encoder hardware engine; L1 cache, 32 KB for instruction, 32 KB for data; 512 KB L2 cache	
HW Accelerators	Open VG 1.1 (Emulated on 3D GPU)	
RTC	Accuracy: +/- 30 ppm at 25°C	
Super Cap	Buffer for 24h	
Memory		
eMMC Flash	4 GB MLC eMMC	
RAM Standard	1 GB 32 bit LP-DDR2	
Micro SD Card Slot	4 bit MMC/SDIO/SD/SDHC	
Operating Systems		
Supported OS	Linux Yocto	
Communication Interfaces		
Network	1x 10/100 Mbit/s Ethernet (RJ-45)	
USB 2.0	1x 480 Mbit/s OTG (Type Micro-AB)	
CAN Fieldbus	1x CAN (ISO/DIS 11898); WakeUp IN	
MDB	1x Master, 1x Slave	
Modem	3G / 4G, GPS (optional); Micro Sim Socket	
RS-232	WakeUp IN @ RS-232 Con.	
Synchronous Serial Interfaces	SPL up to 2 chip selects; Pinning for RFID-I / F (Karl ³)	
BLE Modul	Single Mode BLE V 4.0 Slave	
INSIKA	Socket for optional Smart-Card Interface (Plug In)	
Misc.	2x Service Button	
Video		
Video output	HDMI 1.4 Type C Connector; + On / Off, PWM 2nd Backlight control con.	
Audio		
Speaker output	1x speaker (connector), 1 W RMS (8Ω)	
Micro IN	1x microphone connector	
Display and Touch		
Display Interface	Dual Channel 24bpp LVDS	
Sensor	Ambient-Light-Sensor (external via I ² C)	
Touch Interface	PCAP I ² C	
Backlight Interface	+12 V, 3.3 V, on/off, PWM	
Device Dimensions		
W x H x D	160 x 19 x 95 mm; PCB 160 x 95 mm	
Weight	115 g	
Power Supply		
Supply Voltage	Nom. 12 V DC / max. 9 to 17 V DC	
Consumption	Typ. 3.0 W; max. tbd.	
Powermanagement	Sleep Mode; I sleep < 3 mA @ 12 V	
Typical Environmental Conditions		
Storage Temp.	-20 to +70 °C	
Operating Temp.	-20 to +60 °C	
Humidity	5 to 90 % RH	



Online support on www.garz-fricke.com

„This product can be modified by alternative assembly. Please contact us for available options.“