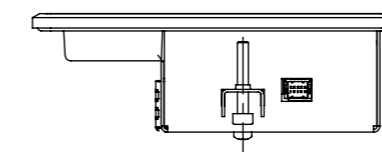
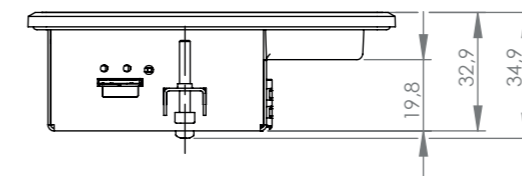
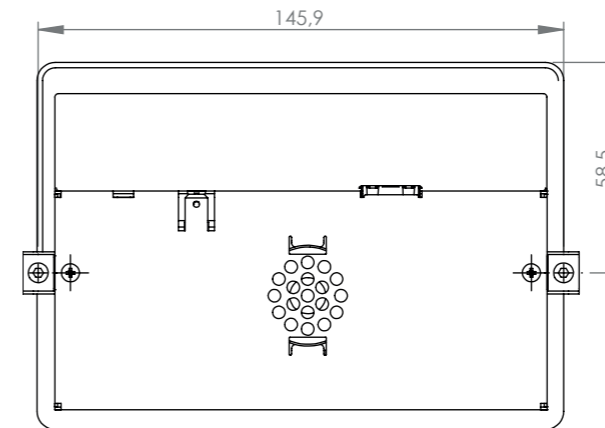
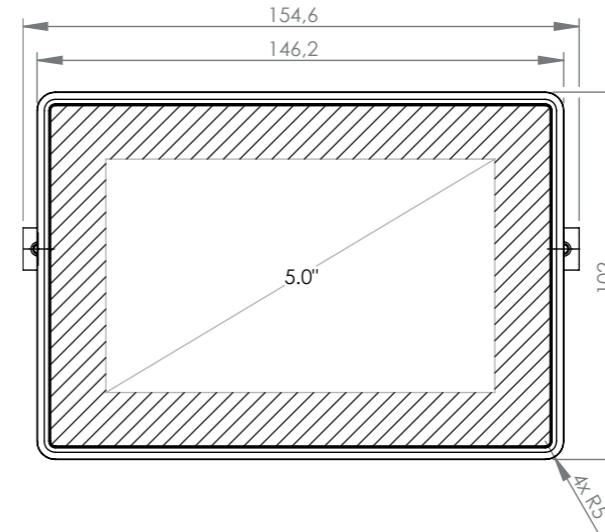
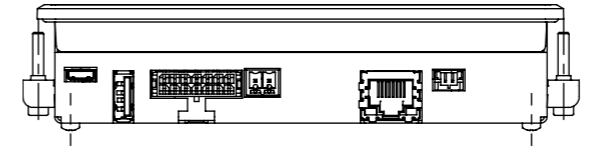
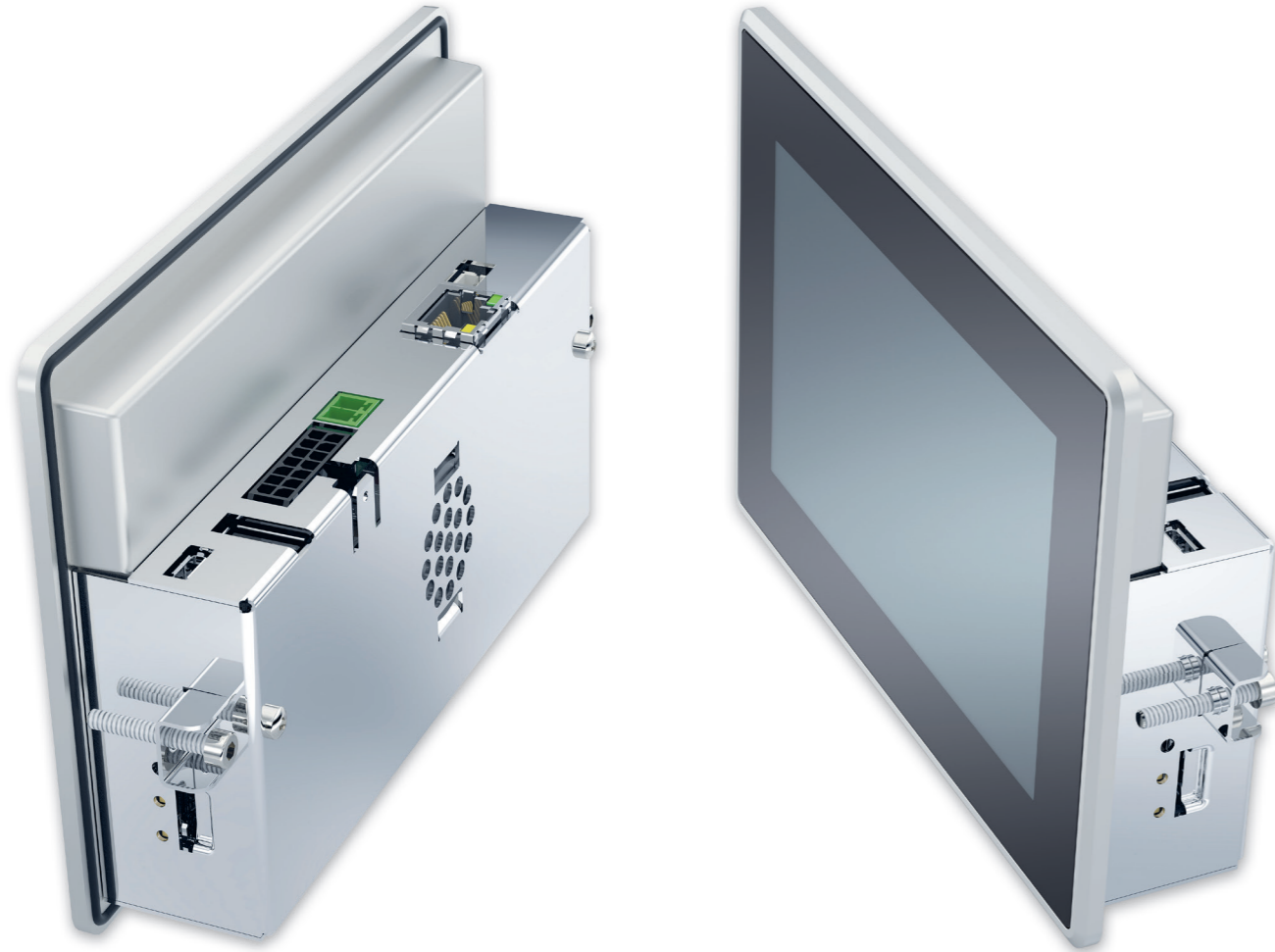


SOLUTIONS THAT COMPLETE!

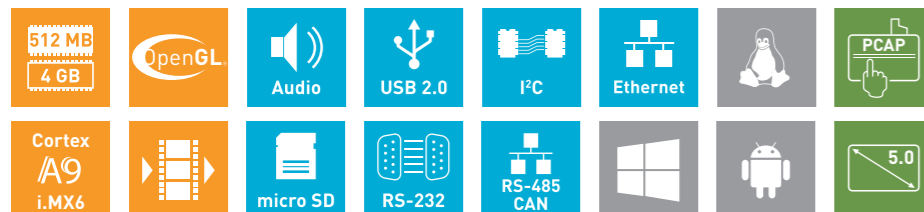
GARZ FRICKE

SANTINO LT 5.0 BX PCT
ARM Cortex-A9 Panel Mount



TECHNICAL SPECIFICATION
SANTINO LT 5.0 BX PCT

	x1	x2L
CPU		
CPU Type	i.MX6Solo	i.MX6DualLite
Core Class	ARM Cortex - A9	
Core Clock	1 GHz	
Features	NEON for SIMD media acceleration and VFP operations; Multi-format HD 1080p video decoder and HD 720p video encoder hardware engine; L1 cache, 32 KB for instruction and data caches; Unified 512 KB L2 cache	
HW Accelerators	Open VG 1.1 (Emulated on 3D GPU)	
RTC	Accuracy: +/- 30 ppm at 25°C	
Memory		
eMMC Flash	4 GB eMMC	
RAM Standard	512 MB 32 bit DDR3L	1 GB 32 bit DDR3L
Micro SD Card Slot	4 bit MMC/SDIO/SD/SDHC	
Operating Systems		
Supported OS	Windows EC 7/2013 on request, Linux Yocto, Android	
Communication Interfaces		
Network	1x 10/100 Mbit/s Ethernet (RJ-45)	
RS-485	1x RS-485 (Half duplex)	
RS-232	1x RS-232 (RX/TX/CTS/RTS)	
Synchronous Serial Interfaces	I ² C, Matrix keypad up to 4 x 4	
High-Speed USB 2.0	1x 480 Mbit/s Host (Type A), 1x 480 Mbit/s OTG (Type Micro-AB)	
CAN Fieldbus	1x CAN (ISO/DIS 11898)	
Audio		
Speaker output	1x speaker (connector), 1.5 W RMS (8Ω)	
Audio Internal	1x speaker 1 W RMS (8Ω)	
Display and Touch		
Size	5 inch/125.95 mm	
Resolution	800 x 480 pixel	
Brightness	up to 1120 cd/m ² ; software default: 400 cd/m ²	
Backlight Lifetime	min. 50 000 h	
Viewing Angle	60°, 70°, 75°, 75° (UDRL)	
Color	24 bit (16.7 Mio. colors)	
Touch	projected capacitive multi touch	
Housing		
Front	1.8 mm toughened glass, RAL 9005	
Frame	Fine zinc alloy, matt chrome	
Rear	Zinc die-cast/1.4016 stainless steel, seal	
Ingress Protection	Front IP 66/Rear IP20	
Device Dimensions		
W x H x D	154.6 x 102.0 x 34.9 mm	
Weight	tbd.	
Power Supply		
Supply Voltage	Nom. 9 to 32 V DC	
Consumption	Typ. 7.1 W; max. 20.4 W	
Typical Environmental Conditions		
Storage Temp.	-20 to +70 °C	
Operating Temp.	0 to +50 °C	
Humidity	5 to 90 % RH	



Online support on www.garz-fricke.com

„This product can be modified by alternative assembly. Please contact us for available options.“