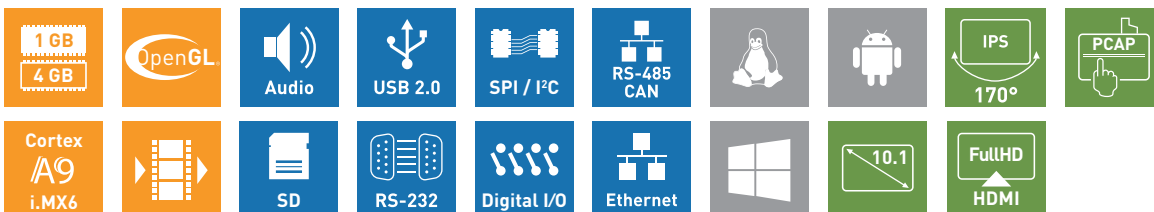
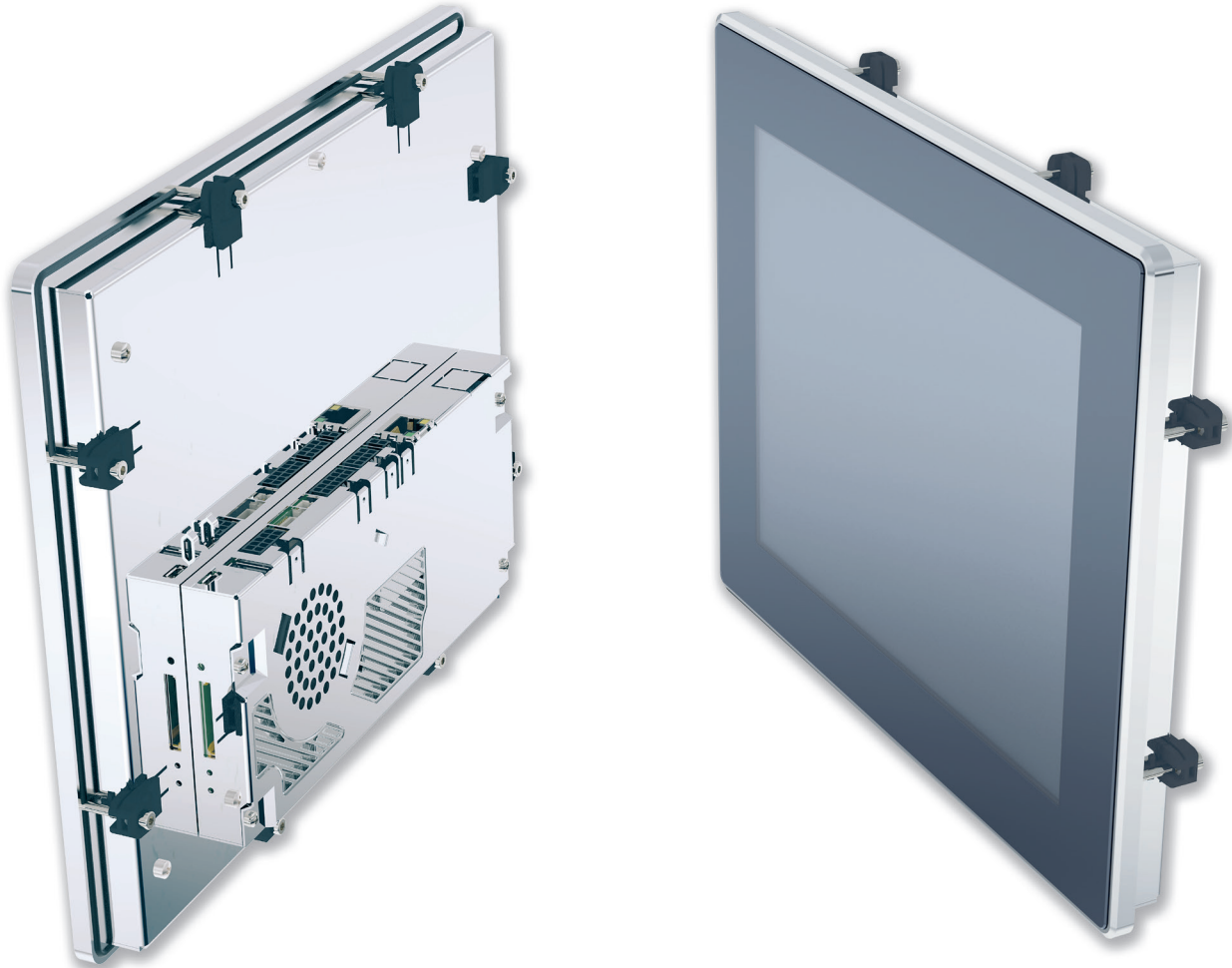


SOLUTIONS THAT COMPLETE!

GARZ  **FRICKE**

SANTARO 10.4 BX PCT

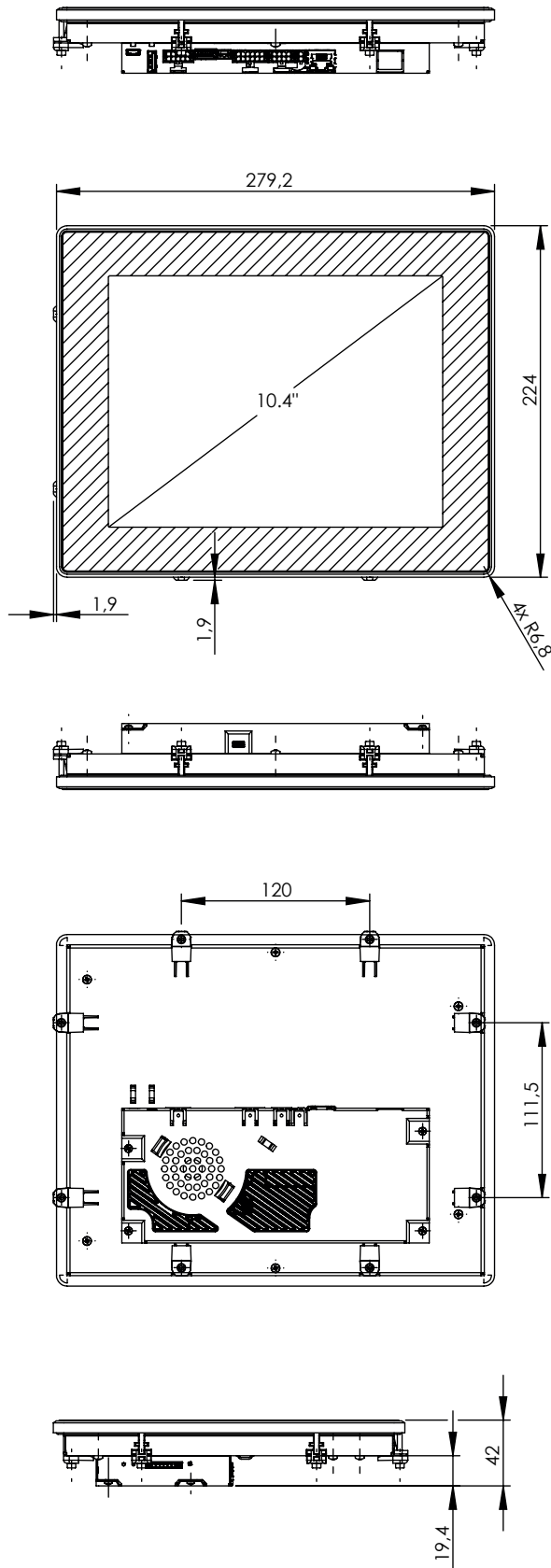
ARM Cortex-A9 Panel Mount



Online support at www.garz-fricke.com

TECHNICAL SPECIFICATION

SANTARO 10.4 BX PCT



CPU	x1	x2
CPU Type	i.MX6Solo	i.MX6Dual
Core Class	ARM Cortex - A9	
Core Clock	800 MHz	1 GHz
Features	NEON for SIMD media acceleration and VFP operations; Multi-format HD 1080p video decoder and HD 720p video encoder hardware engine; L1 cache, 32 KB for instruction, 32 KB for data	
	512 KB L2 cache	1 MB L2 cache
HW Accelerators	OpenGL ES 2.0, OpenVG 1.1 (Emulated on 3D GPU)	OpenGL ES 2.0, OpenVG 1.1
RTC	Accuracy: +/- 30 ppm at 25°C	
Memory		
eMMC Flash	4 GB eMMC Flash	
RAM Standard	1 GB 32 bit DDR3L	1 GB 64 bit DDR3L
SD Card Slot	4 bit MMC/SDIO/SD/SDHC	
Operating Systems		
Supported OS	Windows EC on request, Linux Yocto, Android	
Communication Interfaces		
Digital I/O	2x In, 2x Out (0.7 A)	
Network	1x 10/100 Mbit/s Ethernet (RJ-45)	
USB 2.0	1x 480 Mbit/s Host (Type A) 1x 480 Mbit/s OTG (Type Micro-AB)	
CAN Fieldbus / RS-485	1x CAN (ISO/DIS 11898) + 1x RS-485	1x CAN (ISO/DIS 11898) + 1x RS-485 galvanic isolated
RS-232	2x RS-232 (RX/TX/CTS/RTS)	
Synchronous Serial Interfaces	SPI up to 12 chip selects; I ² C; Matrix keypad up to 8 x 8	
Video		
Video Output		Full HD micro HDMI
Audio		
Speaker Output	1x speaker (connector), 1.5W RMS (8Ω)	
Audio Internal	1x speaker 0.3 W RMS (8Ω)	
Display and Touch		
Size	10.4 inch/264.0mm	
Resolution	800 x 600 pixel	
Brightness	Typ. 400 cd/m ²	
Backlight Lifetime	Typ. 30 000 h	
Viewing Angle	50°, 60°, 70°, 70° (UDRL)	
Color	18 bit (262 k. colors)	
Touch	projected capacitive multi touch	
Housing		
Front	3.0 mm toughened glass, RAL 9005	
Frame	Aluminum, colorless anodized	
Rear	1.4016 stainless steel, foam seal	
Ingress Protection	Front IP 66/Rear IP20	
Device Dimensions		
W x H x D	279.2 x 224.0 x 42.0 mm	
Weight	2173 g	
Power Supply		
Supply Voltage	Nom. 13 to 32 V DC	
Consumption	Typ. 8.5 W; max. 26.4 W	
Typical Environmental Conditions		
Storage Temp.	-20 to +70 °C	
Operating Temp.	0 to +60 °C	
Humidity	5 to 90 % RH	

"THIS PRODUCT CAN BE MODIFIED BY ALTERNATIVE ASSEMBLY. PLEASE CONTACT US FOR AVAILABLE OPTIONS."