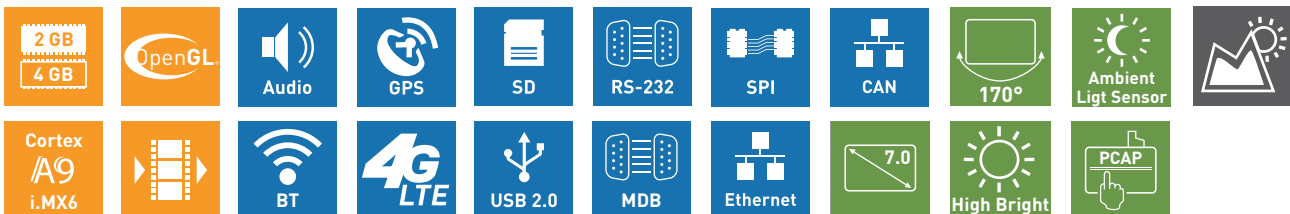


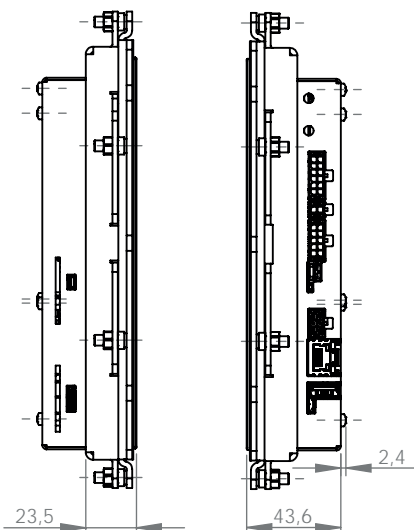
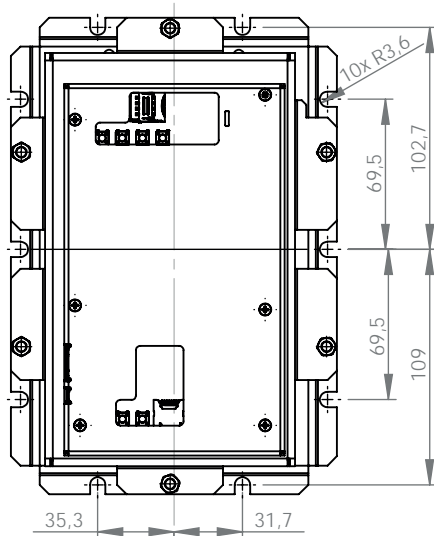
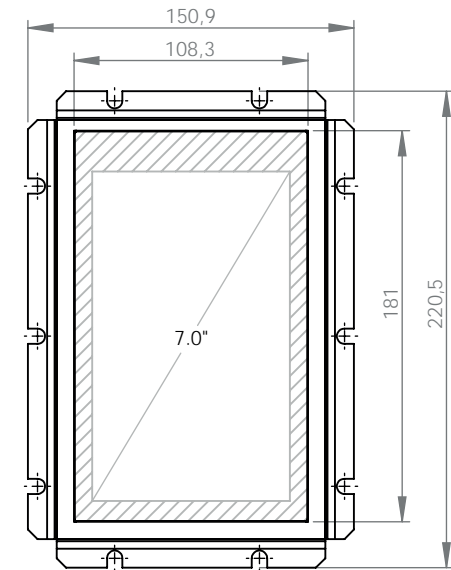
SANTVEND 7.0 OF PCT IPS outdoor

ARM Cortex-A9 IOT Rear Mount



TECHNICAL SPECIFICATION

SANTVEND 7.0 OF PCT IPS outdoor



CPU	x1
CPU Type	i.MX6Solo
Core Class	ARM Cortex - A9
Core Clock	1 GHz
Features	NEON for SIMD media acceleration and VFP operations; Multi-format HD 1080p video decoder and HD 720p video encoder hardware engine; L1 cache, 32 KB for instruction, 32 KB for data; 512 KB L2 cache
HW Accelerators	Open VG 1.1 (Emulated on 3D GPU)
RTC	Accuracy: +/- 30 ppm at 25°C
Super Cap	Buffer for 24h
Memory	
eMMC Flash	4 GB MLC eMMC
RAM Standard	1 GB 32 bit LP-DDR2
Micro SD Card Slot	4 bit MMC/SDIO/SD/SDHC
Operating Systems	
Supported OS	Linux Yocto
Communication Interfaces	
Network	1x 10/100 Mbit/s Ethernet (RJ-45)
USB 2.0	1x 480 Mbit/s OTG (Type Micro-AB)
CAN Fieldbus	1x CAN (ISO/DIS 11898); WakeUp IN
MDB	1x Master, 1x Slave
Modem	3G / 4G, GPS (optional); Micro Sim Socket
RS-232	WakeUp IN @ RS-232 Con. 1x RS-232 (RX/TX/CTS/RTS) and 1x RX, TX
Synchronous Serial Interfaces	SPI up to 2 chip selects; Pinning for RFID-I / F (Kar ³)
BLE Module	Single Mode BLE V 4.0 Slave
INSIKA	Socket for optional Smart-Card Interface (Plug In)
Misc.	2x Service Button
Video	
Video Output	HDMI 1.4 Type C Connector; + On / Off, PWM 2nd Backlight control con.
Audio	
Speaker Output	1x speaker (connector), 1 W RMS (8Ω)
Audio Internal	1x speaker 0.3 W RMS (8Ω)
Display and Touch	
Size	7 inch/177.8 mm
Resolution	800 x 480 pixel
Brightness	Typ. 1000 cd/m ²
Backlight Control	Ambient Light Sensor
Backlight Lifetime	Typ. 70000 h
Viewing Angle	85°,85°,85°,85° (UDRL)
Color	24 bit (16.7 Mio. colors)
Touch	projected capacitive multi touch
Housing	
Front	5.0 mm toughened glass, Pantone black C
Frame	None
Rear	2.5 mm 1.4016 stainless steel, foam seal
Ingress Protection	Front IP 20/Rear IP20
Device Dimensions	
W x H x D	220.5 x 150.9 x 46.0 mm
Weight	1680 g
Power Supply	
Supply Voltage	Nom. 12 V DC / max. 9 to 17 V DC
Consumption	Typ. 9.5 W; max. 22.8 W
Powermanagement	Sleep Mode; I sleep < 3 mA @ 12 V
Typical Environmental Conditions	
Storage Temp.	-20 to +70 °C
Operating Temp.	-20 to +60 °C
Humidity	5 to 90 % RH

"THIS PRODUCT CAN BE MODIFIED BY ALTERNATIVE ASSEMBLY. PLEASE CONTACT US FOR AVAILABLE OPTIONS."