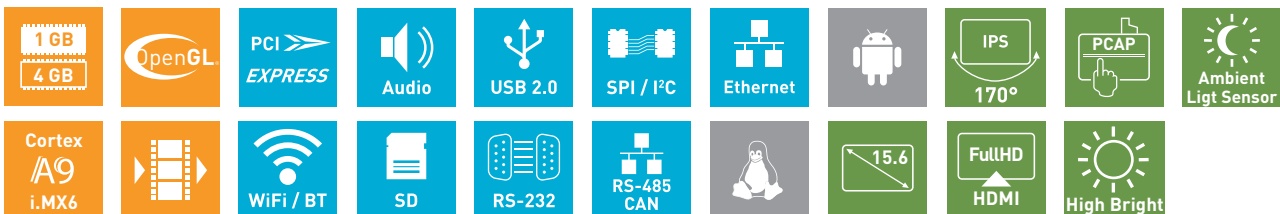
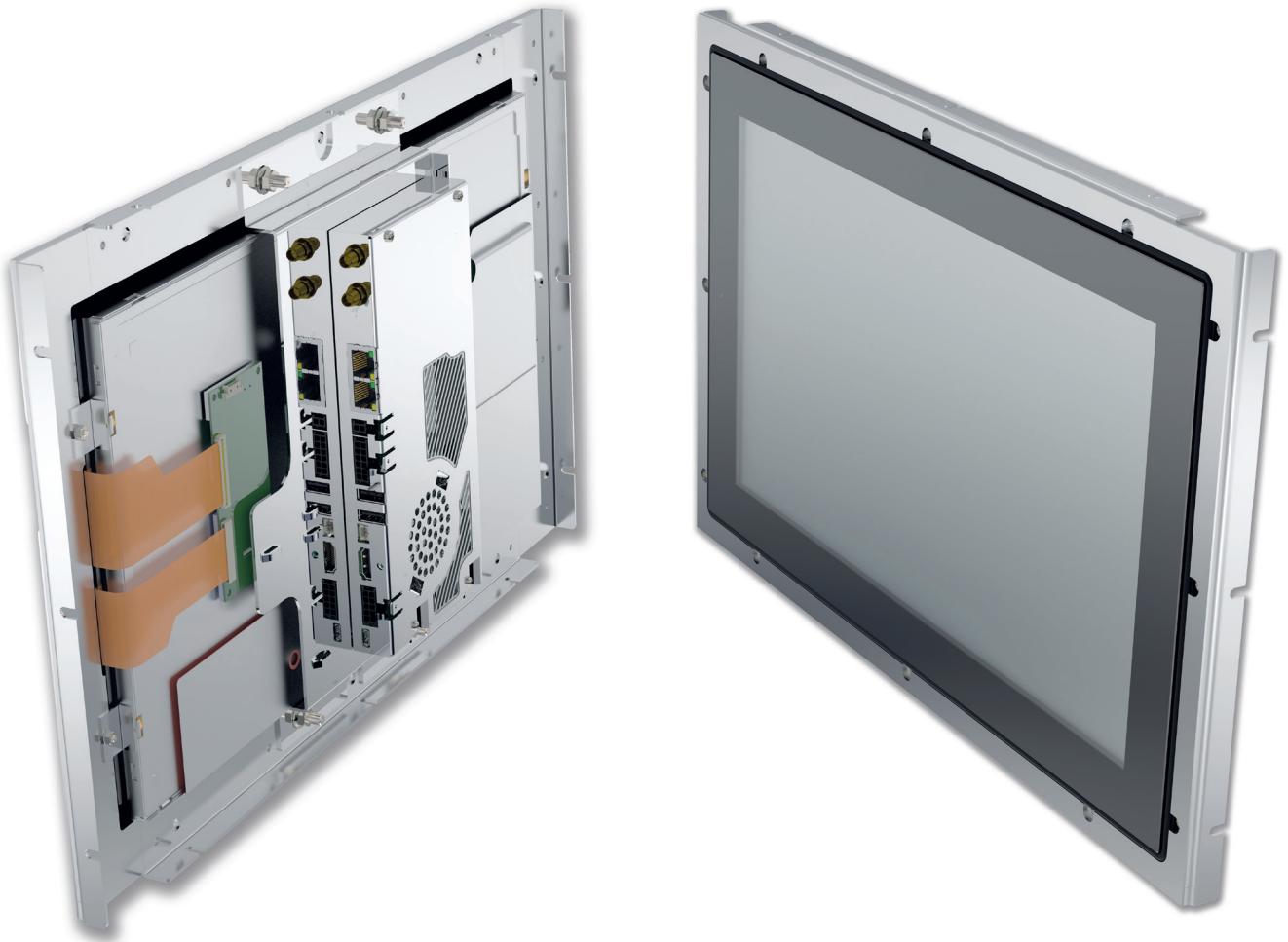


WE MAKE IT YOURS!

GARZ  **FRICKE**

SANTOKA 15.6 OF PCT IPS

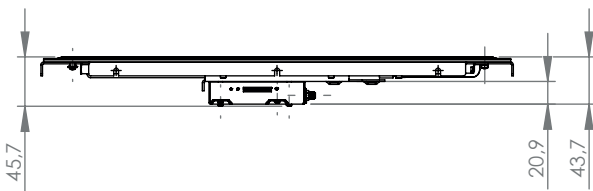
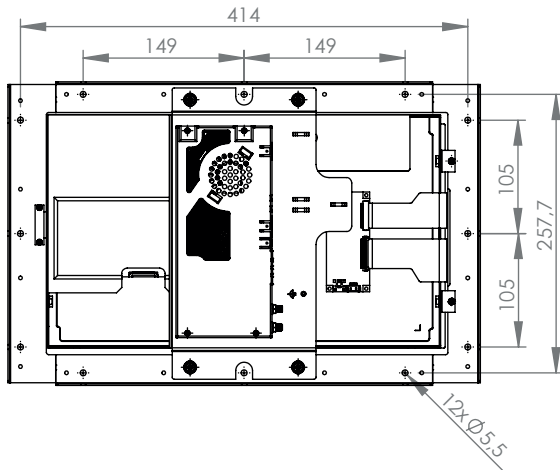
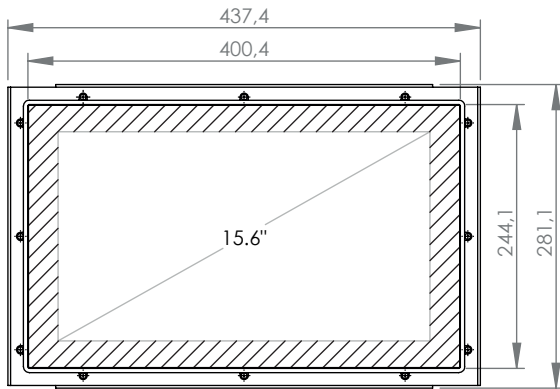
ARM Cortex-A9 Rear Mount



Online support on www.garz-fricke.com

TECHNICAL SPECIFICATION

SANTOKA 15.6 OF PCT IPS



CPU	x2	x4
CPU Type	i.MX6Dual	i.MX6Quad
Core Class	ARM Cortex - A9	
Core Clock	1 GHz	
Features	NEON for SIMD media acceleration and VFP operations; Multi-format HD 1080p video decoder and HD 720p video encoder hardware engine; L1 cache, 32 KB for instruction, 32 KB for data 1 MB L2 cache	
HW Accelerators	OpenGL ES 2.0, OpenVG 1.1	
RTC	Accuracy: +/- 30 ppm at 25°C	
Memory		
eMMC Flash	4 GB MLC eMMC	
RAM Standard	1 GB 64 bit DDR3L	
SD Card Slot	4 bit MMC/SDIO/SD/SDHC	
Operating Systems		
Supported OS	Linux Yocto, Android	
Communication Interfaces		
Network	2x 10/100 Mbit/s Ethernet (RJ-45)	
USB 2.0	2x 480 Mbit/s Host (Type A) 1x 480 Mbit/s OTG (Type Micro-AB) ¹	
CAN Fieldbus / RS-485	1x RS-485 (Full duplex)/ 1x CAN (ISO/DIS 11898) galvanic isolated	
RS-232	2x RS-232 (RX/TX/CTS/RTS) MDB ² / 1x MDB (Master / Slave optional) ³ instead of 2nd external RS-232	
Synchronous Serial Interfaces	SPI up to 12 chip selects; I ² C; Matrix keypad up to 8 x 8	
Wireless Communication		
Wireless	WLAN 802.11 b/g/n; Bluetooth 4.0 LE	
Video		
Video output	Full HD HDMI	
Audio		
Audio Internal	1x speaker connector parallel to external output	
Audio Output	1x speaker connector, 1.5 W RMS (8Ω)	
Display and Touch		
Size	15.6" inch/ 396.24 mm	
Resolution	1920 x 1080 pixel	
Brightness	Typ. 850 cd/m ²	
Backlight Control	Ambient Light Sensor	
Backlight Lifetime	Min. 50.000 h	
Viewing Angle	85°,85°,85°,85° (UDRL)	
Color	16.7 Million Colors (6bit + HFRC)	
Touch	projected capacitive multi touch	
Housing		
Front	4mm thermally strengthened CG with AG coating(AG 80), Black (RAL9005)	
Frame	None	
Rear	ABS-PC/1.4016 stainless steel	
Ingress Protection	Front IP 20/Rear IP20	
Device Dimensions		
W x H x D	437.4 x 281.1 x 45.7 mm	
Weight	tbd.	
Power Supply		
Supply Voltage	Nom. 13 to 32 V DC	
Consumption	Typ. 2.2 W; max. 25.1 W	
Expansion Slot		
mPCIe	PCIe Mini connector (for half size card)	
Typical Environmental Conditions		
Storage Temp.	-20 to +70 °C	
Operating Temp.	0 to +50 °C	
Humidity	5 to 90 % RH	

¹ Mechanically the Micro-USB interface has not been designed for frequent contact operations. Please use an adapter cable with a strain relief. ² Option ³ The selection of a variant eliminates the other.

„This product can be modified by alternative assembly. Please contact us for available options.“