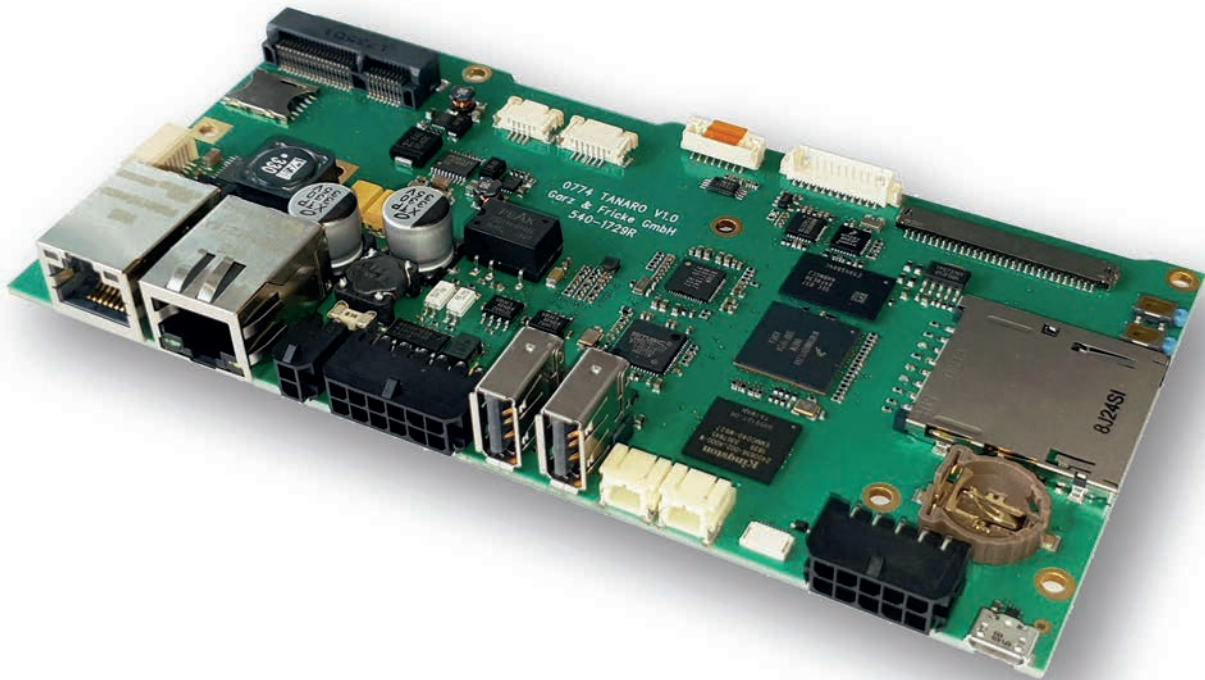
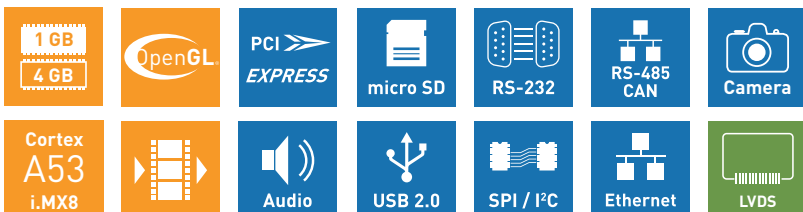


TANARO core

ARM Cortex-A53 Single Board Computer

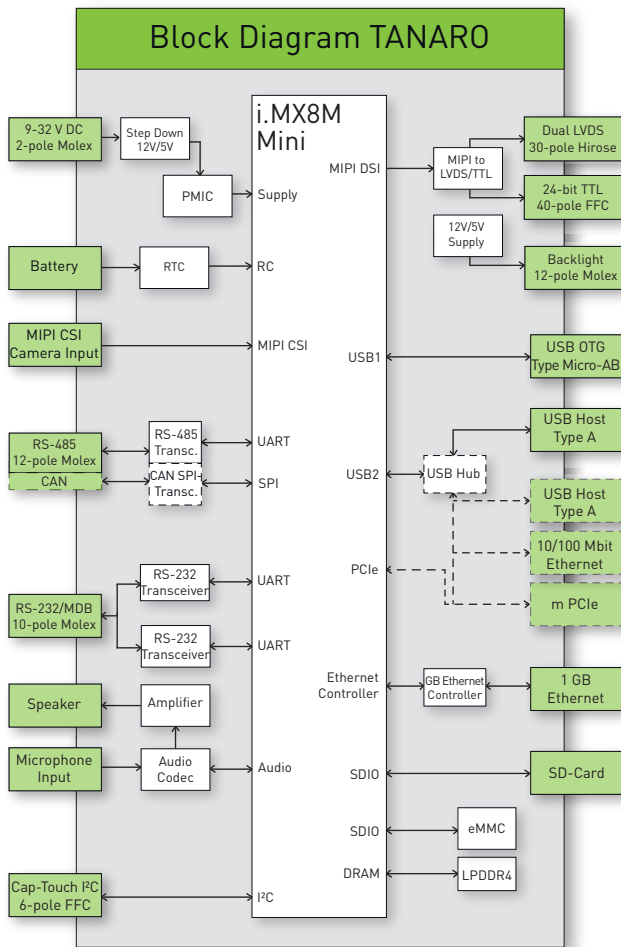


Our IOT solution: PCIe interface for wireless connectivity and two Ethernet ports.



TECHNICAL SPECIFICATION

TANARO Single Board Computer



CPU	S	M
CPU Type	i.MX8M Mini Quad	
Core Class	ARM Cortex - A53, Cortex - M4	
Core Clock	A53: 1.8 GHz (commercial), M4: 400 MHz	
Features	Media Processing Engine (MPE) with NEON technology for SIMD: Floating Point Unit (FPU) Support of 64-bit Armv8-A architecture	
	A53: 32 KB L1 cache for instruction and 32 KB for data M4: 16 KB L1 cache for instruction and 16 KB for data	
HW Accelerators	3D GPU GC NanoUltra(OpenGL ES 2.0) 2D GPU GC320, 1080p60 H265, VP9 decoder, 1080p60 H264, VP8 decoder, 1080p60 AVC/H.264 encoder, VP8 encoder	
RTC	Accuracy: +/- 30 ppm at 25°C	
Memory		
eMMC Flash	4 GB MLC eMMC	
RAM Standard	1 GB LPDDR4	
SD Card Slot	4 bit MMC/SDIO/SD/SDHC	
Operating Systems		
Supported OS	Linux Yocto	
Communication Interfaces		
Network	1x 1Gbit/s 100/10 Mbit/s Ethernet 1x 10/100 Mbit/s Ethernet	1x 1 Gbit/s Ethernet
USB 2.0	2x 480 Mbit/s Host (Type A) 1x 480 Mbit/s OTG (Type Micro-AB)	1x 480 Mbit/s Host (Type A) 1x 480 Mbit/s OTG (Type Micro-AB)
CAN Fieldbus / RS-485	1x CAN (ISO/DIS 11898) + 1x RS-485 galvanic isolated	1x RS 485
RS-232	2x RS-232 (RX/TX/CTS/RTS)	
Wireless Communication		
Wireless	WLAN 802.11 b/g/n; Bluetooth 4.0 LE	
Camera		
Camera Input	MIPI CSI	
Audio		
Speaker Output	1x speaker (connector), 1.5W RMS (8Ω)	
Audio Input	Microphone Input	
Audio Internal	1x speaker connector parallel to external output	
Display and Touch		
Display Interface	Dual Channel 24bpp LVDS	
Touch Interface	PCAP I ² C	
Backlight Interface	+12 V, +5V, on/off, PWM	
Device Dimensions		
W x H x D	159.0 x 18.0 x 80.0 mm	
Weight	102g	
Power Supply		
Supply Voltage	Nom. 13 to 32 V DC; max. 9 to 32 V DC	
Consumption	tbd.	
Typical Environmental Conditions		
Storage Temp.	-20 to +70 °C	
Operating Temp.	0 to +60 °C	
Humidity	5 to 95 % RH	
Expansion Slot		
mPCIe	mPCIe connector (for half size card)	

"THIS PRODUCT CAN BE MODIFIED BY ALTERNATIVE ASSEMBLY. PLEASE CONTACT US FOR AVAILABLE OPTIONS."