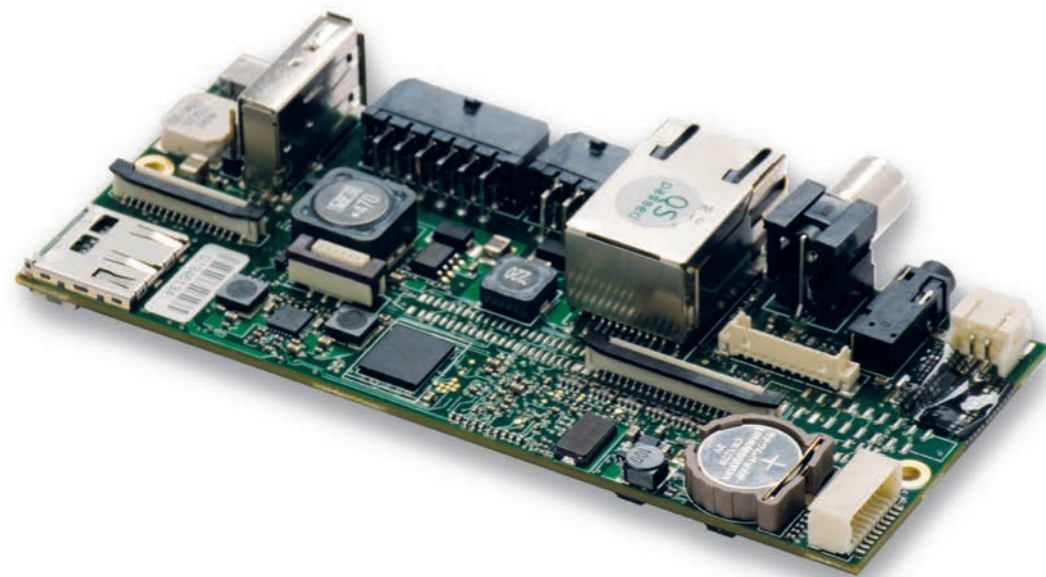
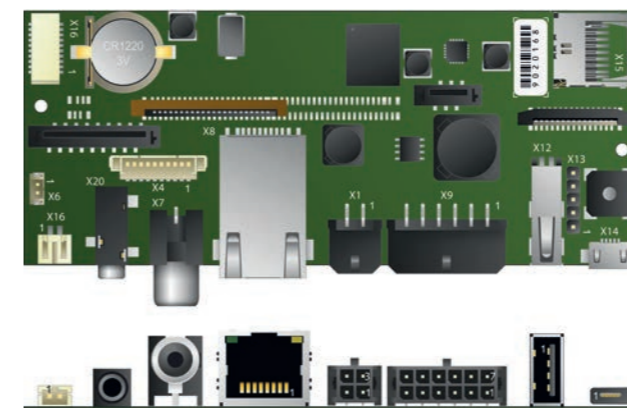
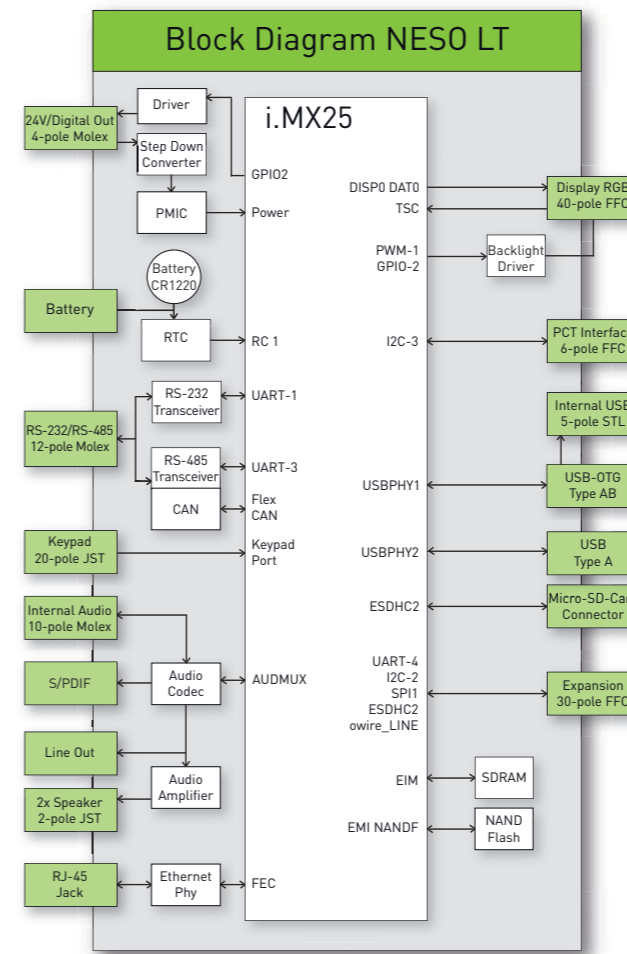


NESO LT core
 ARM 9 Single Board Computer



The entry-level platform for smart applications and displays up to 4.3".

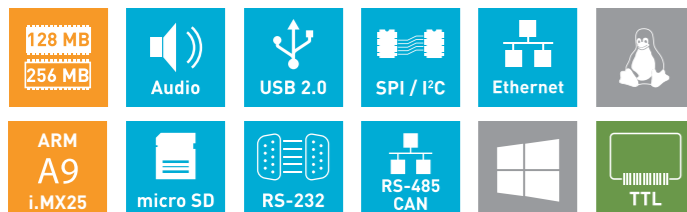


CPU	RS-485	CAN
CPU Type	i.MX 257	
Core Class	ARM 926	
Core Clock	400 MHz	
Features	16 KB for Instruction and data caches	
RTC	Accuracy: +/- 30 ppm at 25°C	
Memory		
NAND Flash	256MByte NAND Flash	
RAM Standard	128 MByte DDR-SDRAM	
Micro SD Card Slot	4 bit MicroSD (HC)	
Operating Systems		
Supported OS	Windows CE 6.0, Linux Yocto	
Communication Interfaces		
Digital I/O	1x Digital Out (0.7 A)	
Network	1x 10/100 Mbit/s Ethernet (RJ-45)	
RS-485 / CAN Fieldbus	1x RS-485 (Half duplex)	1x CAN (ISO/DIS duplex)
RS-232	1x RS-232 (RX/TX/CTS/RTS)	
Synchronous Serial Interfaces	SPI (10 MBit/s) up to 12 chip selects; I ² C, Matrix keypad up to 8 x 8	
High-Speed USB 2.0	1x 12 Mbit/s Full Speed Host 1x 480 Mbit/s High Speed OTG	
Audio		
Speaker output	1x speaker (connector), 1.0 W RMS (8Ω)	
Audio Internal	1x speaker connectors parallel to external output, Line In, Line Out, MIC In	
Display and Touch		
Display Interface	TTL up to 24 bit (RGB)	
Touch Interface	4-wire analog resistive; PCAP I ² C	
Backlight Interface	42.5 mA Backlight drives	
Device Dimensions		
W x H x D	113.8 x 18.0 x 47.3 mm	
Weight	51g	
Power Supply		
Supply Voltage	Nom. 9 to 16 V DC	
Consumption	Typ. 1.2 W; max. 9.0 W	
Typical Environmental Conditions		
Storage Temp.	-20 to +70 °C	
Operating Temp.	0 to +60 °C	
Humidity	5 to 90 % RH	
Expansion Conector		
Interfaces	UART, I ² C, SPI, SD-Card	

NESO LT M core

NESO LT is available in a minor assembled edition, indicated by a "M". These versions are dedicated for very cost sensitive projects, where Ethernet, USB and RS-232 are sufficient.

„This product can be modified by alternative assembly. Please contact us for available options.“



Online support on www.garz-fricke.com