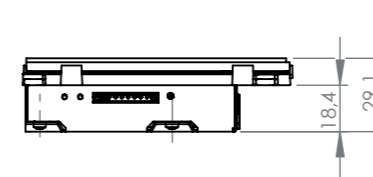
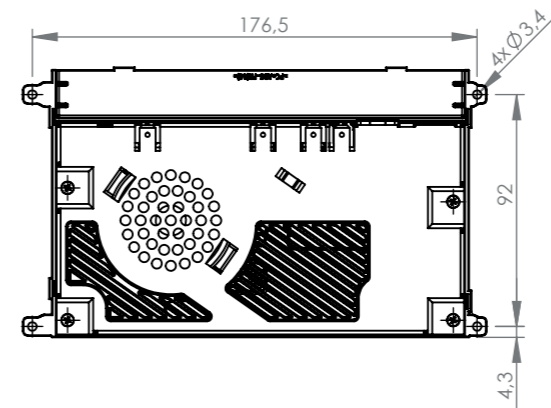
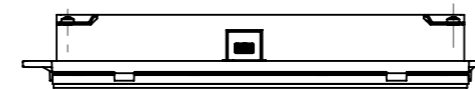
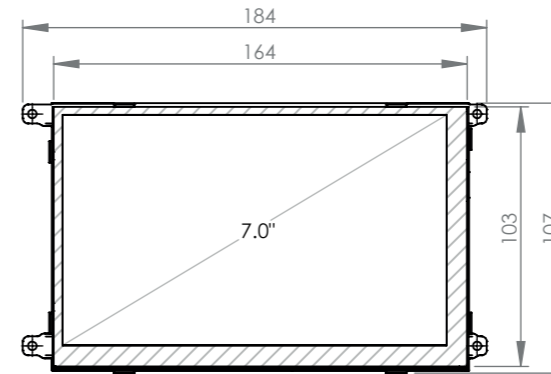
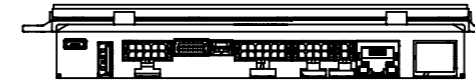
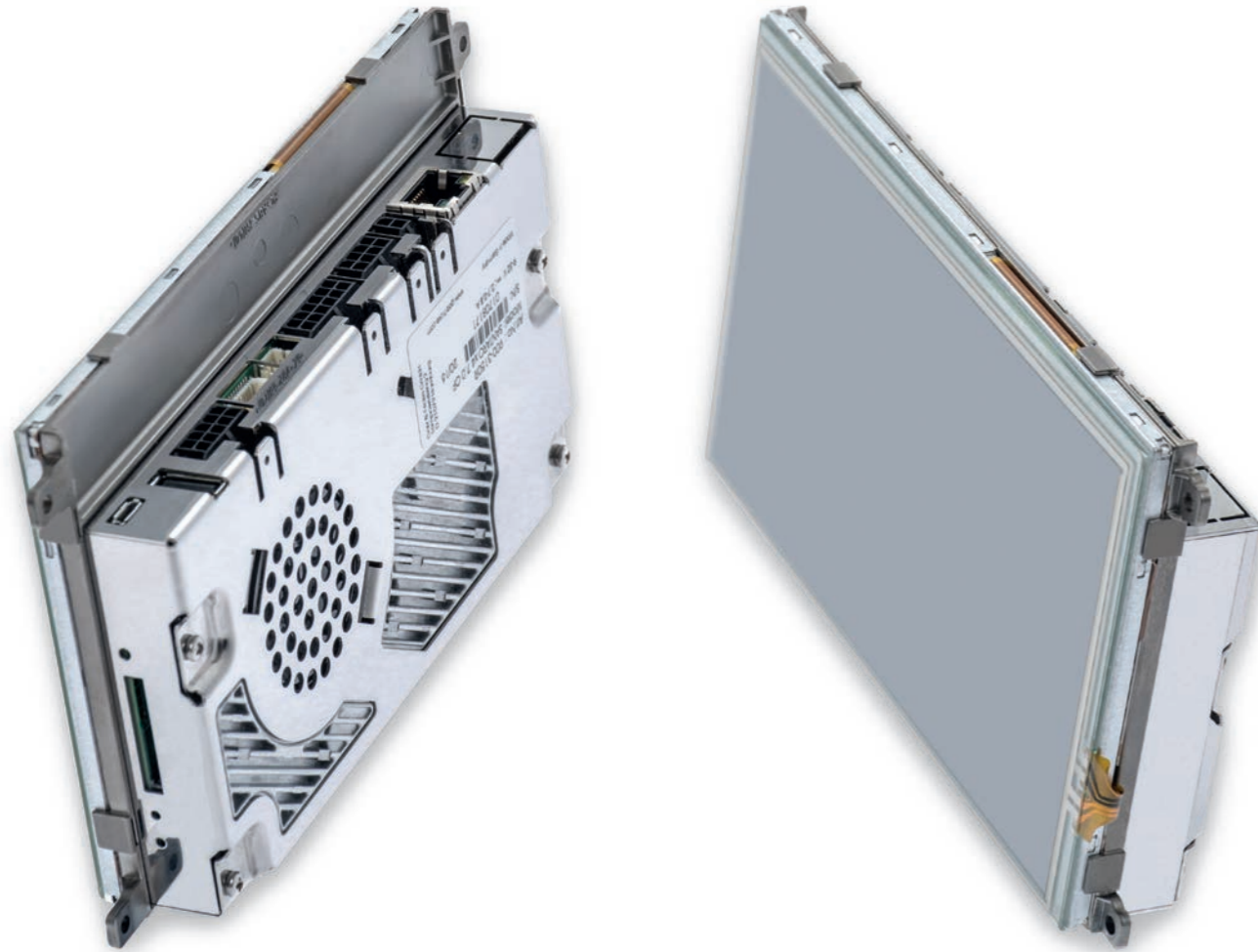


SOLUTIONS THAT COMPLETE!

GARZ FRICKE

SANTARO 7.0 OF
ARM Cortex-A9 Rear Mount



TECHNICAL SPECIFICATION
SANTARO 7.0 OF

	x1	x2
CPU		
CPU Type	i.MX6Solo	i.MX6Dual
Core Class	ARM Cortex - A9	
Core Clock	1 GHz	
Features	NEON for SIMD media acceleration and VFP operations; Multi-format HD 1080p video decoder and HD 720p video encoder hardware engine; L1 cache, 32 KB for instruction, 32 KB for data	
	512 KB L2 cache	1 MB L2 cache
HW Accelerators	OpenGL ES 2.0, OpenVG 1.1	
RTC	Accuracy: +/- 30 ppm at 25°C	
Memory		
eMMC Flash	4 GB eMMC Flash	
RAM Standard	1 GB 32 bit DDR3L	1 GB 64 bit DDR3L
SD Card Slot	4 bit MMC/SDIO/SD/SDHC	
Operating Systems		
Supported OS	Windows Embedded Compact 7/2013, Linux Yocto, Android	
Communication Interfaces		
Digital I/O	2x In, 2x Out (0.7 A)	
Network	1x 10/100 Mbit/s Ethernet (RJ-45)	
USB 2.0	1x 480 Mbit/s Host (Type A) 1x 480 Mbit/s OTG (Type Micro-AB)	
CAN Fieldbus / RS-485	1x CAN (ISO/DIS 11898) + 1x RS-485	1x CAN (ISO/DIS 11898) + 1x RS-485 galvanic isolated
RS-232	2x RS-232 (RX/TX/CTS/RTS)	
Synchronous Serial Interfaces	SPI up to 12 chip selects; I ² C; Matrix keypad up to 8 x 8	
Video		
Video output		Full HD micro HDMI
Audio		
Speaker output	1x speaker (connector), 1.5W RMS (8Ω)	
Audio Internal	1x speaker 0.3 W RMS (8Ω)	
Display and Touch		
Size	7 inch/177.8 mm	
Resolution	800 x 480 pixel	
Brightness	Typ. 400 cd/m ²	
Backlight Lifetime	Typ. 40 000 h	
Viewing Angle	60°, 70°, 70°, 70° (UDRL)	
Color	18 bit (262 K colors)	
Touch	4 wire resistive	
Housing		
Metal Parts	1.4016 high quality steel 0.8 mm	
Front	Surface hardness 3H; antiglare	
Device Dimensions		
W x H x D	184.0 x 107.0 x 29.1 mm	
Weight	549 g	
Power Supply		
Supply Voltage	Nom. 9 to 32 V DC	
Consumption	Typ. 5.7 W; max. 22.8 W	
Typical Environmental Conditions		
Storage Temp.	-20 to +70 °C	
Operating Temp.	0 to +60 °C	
Humidity	5 to 90 % RH	



Online support on www.garz-fricke.com

„This product can be modified by alternative assembly. Please contact us for available options.“