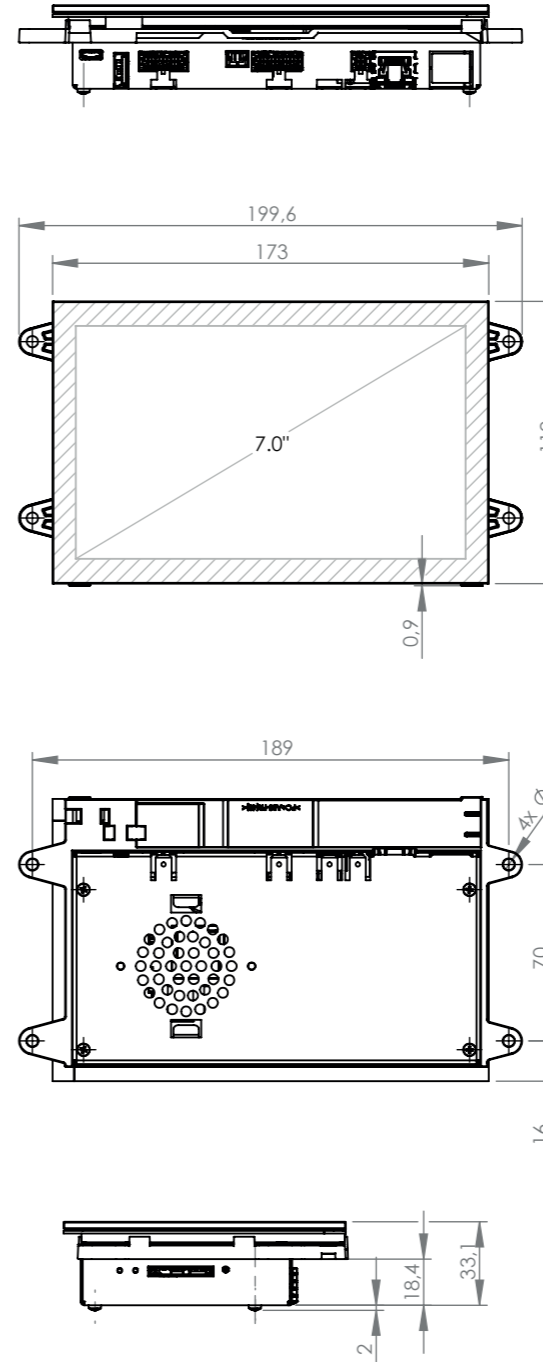


SOLUTIONS THAT COMPLETE!

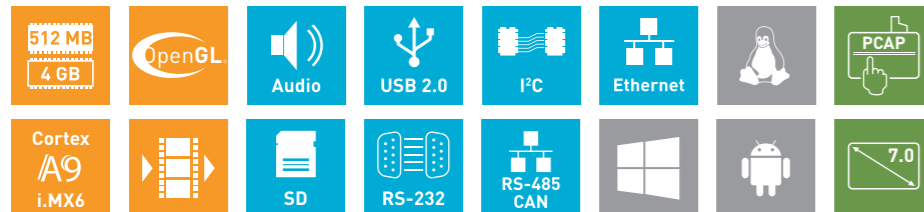
GARZ FRICKE

SANTINO 7.0 OF PCT
ARM Cortex-A9 Rear Mount



TECHNICAL SPECIFICATION
SANTINO 7.0 OF PCT

	x1	x2L
CPU		
CPU Type	i.MX6Solo	i.MX6DualLite
Core Class	ARM Cortex - A9	
Core Clock	1 GHz	
Features	NEON for SIMD media acceleration and VFP operations; Multi-format HD 1080p video decoder and HD 720p video encoder hardware engine; L1 cache, 32 KB for instruction, 32 KB for data; 512 KB L2 cache	
HW Accelerators	Open VG 1.1 (Emulated on 3D GPU)	
RTC	Accuracy: +/- 30 ppm at 25°C	
Memory		
eMMC Flash	4 GB MLC eMMC	
RAM Standard	512 MB 32 bit DDR3L	1 GB 32 bit DDR3L
SD Card Slot	4 bit MMC/SDIO/SD/SDHC	
Operating Systems		
Supported OS	Windows EC 7/2013 on request, Linux Yocto, Android	
Communication Interfaces		
Network	1x 10/100 Mbit/s Ethernet (RJ-45)	
USB 2.0	1x 480 Mbit/s Host (Type A) 1x 480 Mbit/s OTG (Type Micro-AB)	
CAN Fieldbus/ RS-485	1x CAN (ISO/DIS 11898) + 1x RS-485	1x CAN (ISO/DIS 11898) + 1x RS-485 galvanic isolated
RS-232	2x RS-232 (RX/TX/CTS/RTS)	
Synchronous Serial Interfaces	I ² C, Matrix keypad up to 4 x 4	
Audio		
Speaker output	1x speaker (connector), 1.5 W RMS (8Ω)	
Audio Internal	1x speaker 0.3 W RMS (8Ω)	
Display and Touch		
Size	7 inch/177.8 mm	
Resolution	800 x 480 pixel	
Brightness	Typ 400 cd/m ²	
Backlight Lifetime	Typ. 50 000 h	
Viewing Angle	50°, 70°, 70°, 70° (UDRL)	
Color	18 bit [262 K colors]	
Touch	projected capacitive multi touch	
Housing		
Front	1.1 mm toughened glass, colorless	
Frame	None	
Rear	ABS-PC/1.4016 stainless steel	
Ingress Protection	Front IP 20/Rear IP20	
Device Dimensions		
W x H x D	185.1 x 101.6 x 33.28 mm	
Weight	tbd.	
Power Supply		
Supply Voltage	Nom. 9 to 32 V DC	
Consumption	Typ. 5.3 W; max. 22.8 W	
Typical Environmental Conditions		
Storage Temp.	-20 to +70 °C	
Operating Temp.	0 to +60 °C	
Humidity	5 to 90 % RH	



Online support on www.garz-fricke.com

„This product can be modified by alternative assembly. Please contact us for available options.“